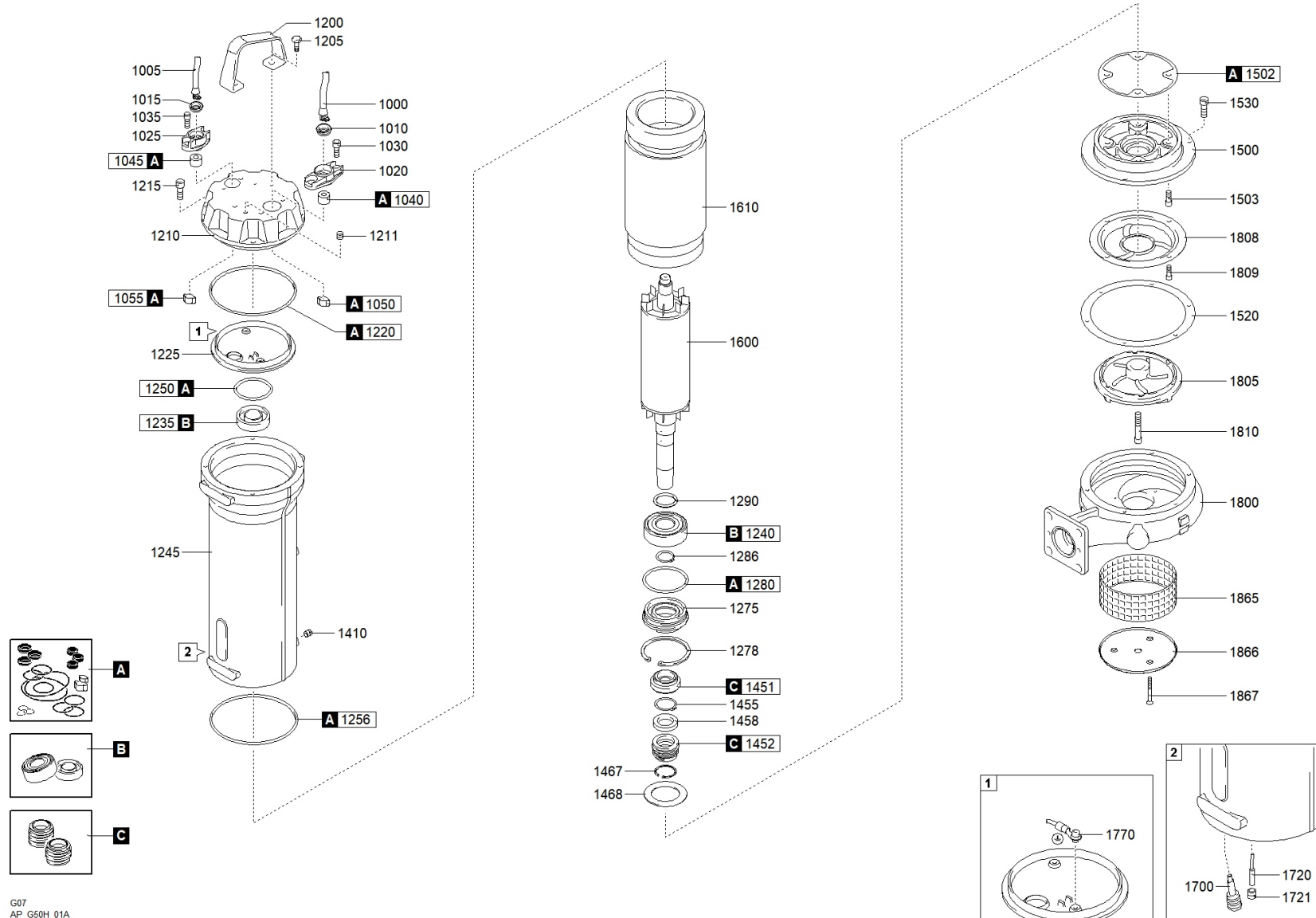




better together

1508.200 - APG 750/2/G50H A0FT5 NGTSB51040N00EX





better together



1508.200 - APG 750/2/G50H AOFT5 NGTSB51040N00EX

| | | Code | Description | | Q.ty | Price (€) | |
|------|--|--------------------|---|------------------|------|-----------|--|
| A | | 601053001 | GASKETS KIT | 806126 | 1 | | |
| C | | 602053093 | MECHANICAL SEALS KIT | 806129 | 1 | | |
| B | | 604053001 | BEARINGS KIT | 806132 | 1 | | |
| 1000 | | 25020340151000001 | CAVO POTENZA | 802306 | 1 | | |
| 1010 | | 235467216820 | RING NUT [POWER CABLE] | 711016 OR 802074 | 1 | | |
| 1020 | | 235424018990 | CABLE GLAND [POWER CABLE] | 711014 | 1 | | |
| 1030 | | 270831010203200000 | SCREW - CABLE GLAND [POWER CABLE] | 711028 | 2 | | |
| 1040 | | 235673222050 | RUBBER GASKET [POWER CABLE] | | 1 | | |
| 1050 | | 2732001400000 | COLLAR CLAMP [POWER CABLE] | 802081 | 1 | | |
| 1200 | | 235232426544 | HANDLE | | 1 | | |
| 1205 | | 270830810201200000 | SCREW [HANDLE >> COVER] | 802319 | 2 | | |
| 1210 | | 2321171EX27210 | COVER | | 1 | | |
| 1211 | | 270139510104000003 | CAP [TIGHTNESS TEST] | | 1 | | |
| 1215 | | 270830810203200000 | SCREW [COVER >> MOTOR CASE] | 802093 OR 802095 | 4 | | |
| 1220 | | 271770151035000000 | GASKET [COVER >> UPPER BEARING HOLDER] | | 1 | | |
| 1225 | | 230657125859 | UPPER BEARING HOLDER | | 1 | | |
| 1235 | | 2729063050400000 | UPPER BEARING | 710969 | 1 | | |
| 1240 | | 2729063070200000 | LOWER BEARING | 802297 | 1 | | |
| 1245 | | 2310171EX28578 | MOTOR CASE | | 1 | | |
| 1250 | | 271770061026000000 | GASKET [UPPER BEARING] | | 1 | | |
| 1256 | | 271770145018000000 | GASKET [MOTOR CASE >> PUMP PLATE] | | 1 | | |
| 1275 | | 23915087037027879 | LOWER BEARING FLANGE | | 1 | | |
| 1278 | | 270320880200000 | SEEGER [LOWER BEARING FLANGE] | 802289 | 1 | | |
| 1280 | | 271770073035000000 | GASKET [LOWER BEARING FLANGE] | 711000 | 1 | | |
| 1286 | | 270330350100000 | SEEGER [LOWER BEARING >> LOWER BEARING FLANGE] | | 1 | | |
| 1290 | | 270220350452500000 | DISTANCE RING [LOWER BEARING] | 802312 | 1 | | |
| 1410 | | 270139510104000003 | CAP [OIL CHAMBER] | | 1 | | |
| 1451 | | 230000010300000000 | 1st MECHANICAL SEAL | | 1 | | |
| 1452 | | 230002010300000000 | 2nd MECHANICAL SEAL | | 1 | | |
| 1455 | | 270330300100000 | SEEGER [1st MECHANICAL SEAL >> 2nd MECHANICAL SEAL] | 802102 | 1 | | |
| 1467 | | 270320620200000 | SEEGER [2nd MECHANICAL SEAL] | | 1 | | |
| 1468 | | 270534161109027893 | DISTANCE RING [2nd MECHANICAL SEAL] | | 1 | | |
| 1500 | | 236212003027854 | PUMP PLATE | | 1 | | |
| 1502 | | 2750913427043 | GASKET [PUMP PLATE] | | 1 | | |
| 1503 | | 270830810203200000 | SCREW [PUMP PLATE >> MOTOR CASE] | 802093 OR 802095 | 4 | | |
| 1520 | | 2750920022190 | GASKET [PUMP PLATE >> PUMP BODY] | 710949 | 2 | | |
| 1530 | | 270830810203200000 | SCREW [PUMP PLATE >> PUMP BODY] | 802093 OR 802095 | 4 | | |
| 1600 | | 2302351130EX27836 | SHAFT WITH ROTOR | | 1 | | |

| | | | | |
|------|--------------------|--|--------|---|
| 1610 | 231101303023000000 | WOUND STATOR | | 1 |
| 1700 | 25072200000000 | HUMIDITY PROBE [OIL CHAMBER] | | 1 |
| 1770 | 2500000001800072 | GROUND CABLE CONNECTOR | | 1 |
| 1800 | 21251520020123437 | PUMP BODY | 710967 | 1 |
| 1805 | 21411HP185NN27196 | IMPELLER | | 1 |
| 1808 | 23913196060027230 | DISTANCE RING [PUMP PLATE >> IMPELLER] | | 1 |
| 1809 | 270830810123200000 | SCREW [DISTANCE RING >> PUMP PLATE] | 802316 | 4 |
| 1810 | 270831010503200000 | LOCKING IMPELLER | | 1 |
| 1865 | 216532623455 | OPEN STRAINER | 710981 | 1 |
| 1866 | 216532623456 | COVER [OPEN STRAINER] | 710982 | 1 |
| 1867 | 270830610653600000 | SCREW - COVER [OPEN STRAINER >> PUMP BODY] | 711027 | 3 |